


Genuine Aircraft Hardware Co.

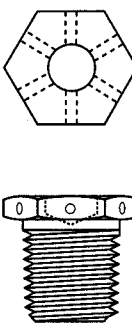
Hydraulic Fittings

Pipe, Plugs and Unions

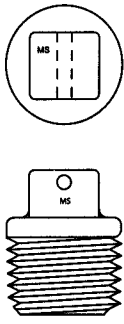


| MS27769 Hex Plug REPLACES AN932 | | | |
|------------------------------------|----------|-------|-------|
| NPT SIZE | MATERIAL | | |
| | ALUM. | STEEL | CRES. |
| 1/16 | -1D | -1 | -1S |
| 1/8 | -2D | -2 | -2S |
| 1/4 | -3D | -3 | -3S |
| 3/8 | -4D | -4 | -4S |
| 1/2 | -5D | -5 | -5S |
| 3/4 | -6D | -6 | -6S |
| 1" | -7D | -7 | -7S |

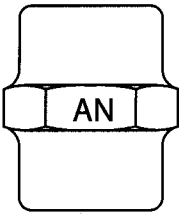
MS27769



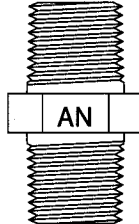
AN933 Ext Hex Plug



**MS20913 Sq Plug
REPLACES AN913**

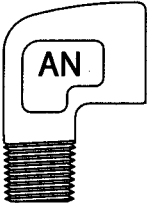


AN910 Female Straight

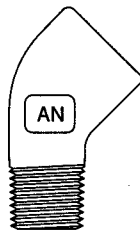


AN911 Male Straight

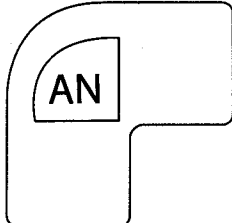
| NPT SIZE | MATERIAL | | |
|-------------|----------|-------|-----------|
| | ALUMINUM | STEEL | STAINLESS |
| 1/16 | -0D | -0 | -0J |
| 1/8 | -1D | -1 | -1J |
| 1/4 | -2D | -2 | -2J |
| 3/8 | -3D | -3 | -3J |
| 1/2 | -4D | -4 | -4J |
| 3/4 | -6D | -5 | -6J |
| 1" | -8D | -8 | -8J |



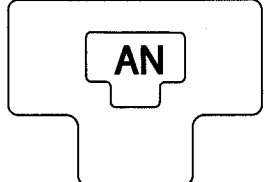
AN914 M/F 90 Degree



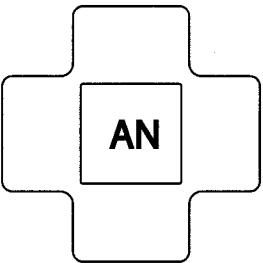
AN915 M/F 45 Degree



AN916 Female 90 Degree



AN917 Female Tee



AN918 Female Cross

| NPT SIZE | MATERIAL | | |
|-------------|----------|-------|-------|
| | ALUM. | BRASS | CRES. |
| 1/8 | -1D | -1 | -1J |
| 1/4 | -2D | -2 | -2J |
| 3/8 | -3D | -3 | -3J |
| 1/2 | -4D | -4 | -4J |
| 3/4 | -6D | -6 | -6J |
| 1" | -8D | -8 | -8J |