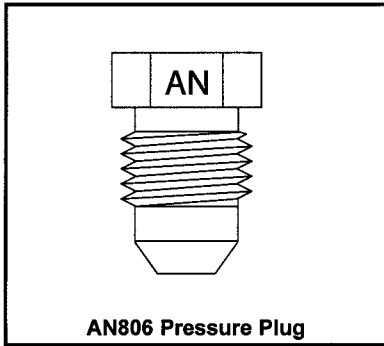


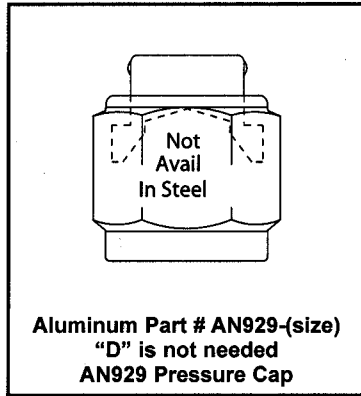
# Genuine Aircraft Hardware Co.

## Hydraulic Fittings

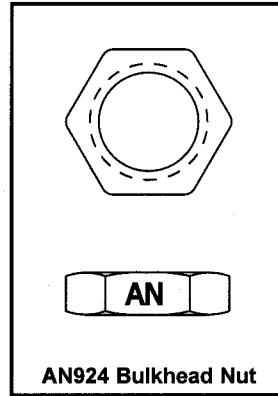
Adapters, 37 Degree Flare



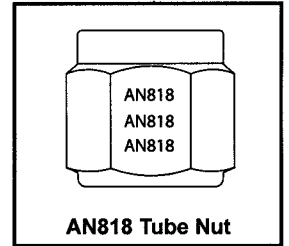
AN806 Pressure Plug



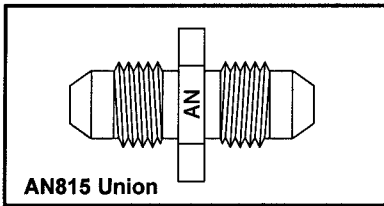
Aluminum Part # AN929-(size)  
"D" is not needed  
AN929 Pressure Cap



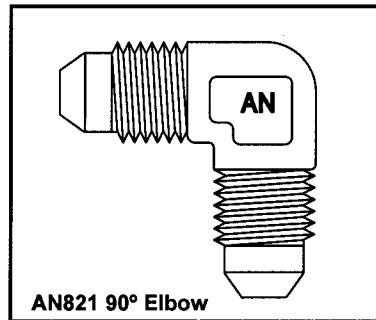
AN924 Bulkhead Nut



AN818 Tube Nut



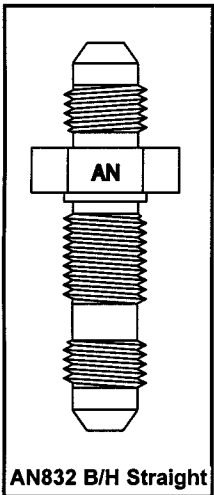
AN815 Union



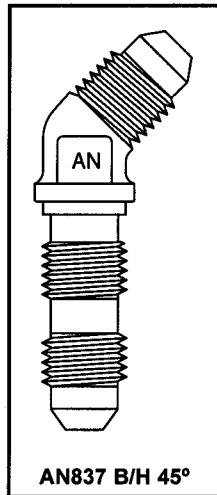
AN821 90° Elbow



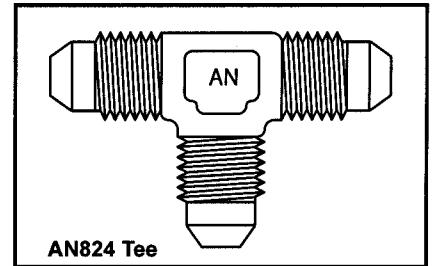
MS20819 Sleeve



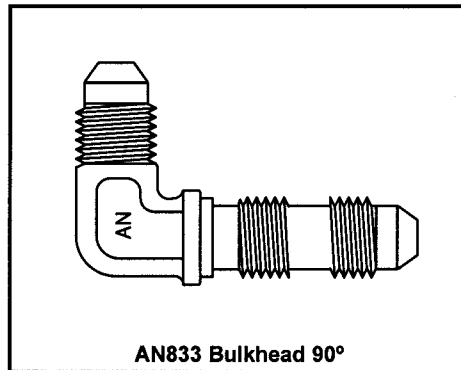
AN832 B/H Straight



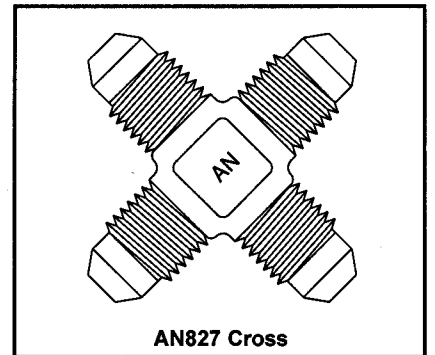
AN837 B/H 45°



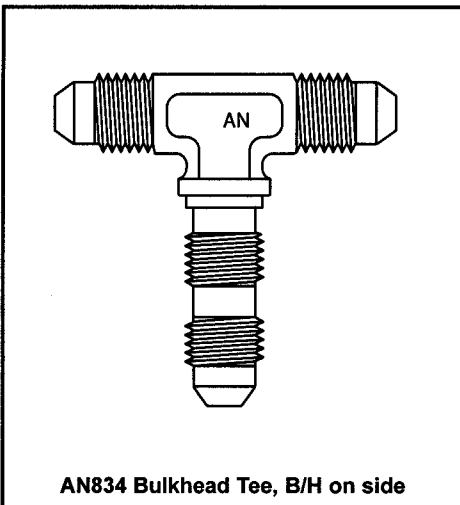
AN824 Tee



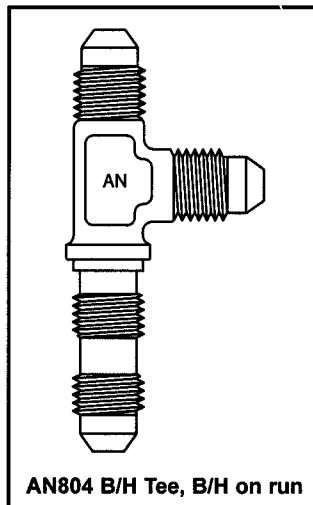
AN833 Bulkhead 90°



AN827 Cross



AN834 Bulkhead Tee, B/H on side



AN804 B/H Tee, B/H on run

Fittings, 37 degree To 37 degree

| TUBE SIZE | MATERIAL |       |           |
|-----------|----------|-------|-----------|
|           | *ALUMNUM | STEEL | STAINLESS |
| 1/8       | - 2D     | - 2   | - 2J      |
| 3/16      | - 3D     | - 3   | - 3J      |
| 1/4       | - 4D     | - 4   | - 4J      |
| 5/16      | - 5D     | - 5   | - 5J      |
| 3/8       | - 6D     | - 6   | - 6J      |
| 1/2       | - 8D     | - 8   | - 8J      |
| 5/8       | - 10D    | - 10  | - 10J     |
| 3/4       | - 12D    | - 12  | - 12J     |
| 1"        | - 16D    | - 16  | - 16J     |